

Link-Belt® Spherical Roller Bearing



Easy to mount,
sealed, pre-lubricated
and do not require
bearing adjustment
during mounting.

Series B22400, B22500 & B22600 Spherical Roller Bearing Units and Takeups – Features and Benefits

Series B22400 are single collar mounted spherical roller bearing units. Series B22500 are double collar mounted spherical roller bearing units. Series B22600 are adapter mounted spherical roller bearing units. These units provide economic

and versatile arrangements for supporting shafts carrying substantial radial or combination radial and thrust loads. These units are especially adaptable for conveyors, elevators, general industrial machinery, heavier duty fans and blowers, power transmission

applications, ditchers, trenchers, pavers and other such applications. These series of bearings are easy to mount, sealed, pre-lubricated and do not require bearing adjustment during mounting.

1. Mounting Feature
 - B22400 Series – Spring locking collar locks inner ring securely to shaft.
 - B22500 Series – Two spring locking collars lock inner ring securely to shaft.
 - B22600 Series – Tapered adapter mounting system.
2. Choice of three seals, floating labyrinth Type H, spring-loaded lip Type E, and triple lip Type E7.
3. Long inner ring for high stability and load support.
4. Self-aligning double row spherical roller bearing adjusts $\pm 2^\circ$ to allow for alignment variations between shaft and supporting structure.
5. Double contoured retainer pockets assure accurate roller control.
6. Sturdy, compact one-piece cast iron or cast steel housing.
7. Slotted bolt holes in pillow block bases facilitate mounting; bottom of base is machined.

Spherical Roller Bearings

Self-aligning double row spherical roller bearings have high LDN values and are designed to distribute the load over the symmetrical rollers, assuring positive tracking and smooth operation. The large roller complement provides high capacity for radial or combined radial-thrust loads.

Osculation clearance at the ends of the rollers compensates for shock loads and prevents destructive edge loading. These precision bearings with double contoured retainer pockets are designed to meet a broad range of application requirements.



Spring Locking Collar (s) - B22400 & B22500 Series

The spring locking collar(s) design provides a secure grip of the wide inner ring bearing to the shaft. The set screws extend through the inner ring of the bearing and lock firmly onto the shaft. Installation is fast and simple. Correctly tightening

the set screws produces elastic strain in the spring locking collar resulting in a continuous pressure on the set screw threads and providing a positive lock.



Adapter Mount – B22600 Series

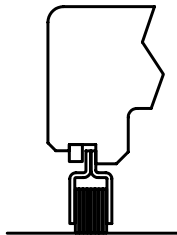
The adapter mounting provides better concentricity and shaft control, increasing service life. Where Turned, Ground and Polished shafting is the norm on collar-mounted units, the maximized mounting power of the B22600 allows for Commercial Grade Shafting compatibility (a commonly used grade of shafting due to its price and availability). Shaft damage from set screws is eliminated with the B22600's improved mounting design. Shaft damage

from the bearing inner ring fretting to the shaft (the result of a clearance or loose fit) is also eliminated. These improvements facilitate easier bearing removal, replacement bearing installation and longer shaft service life.

Interchangeable Seals-Seal Types

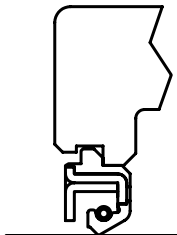
Three standard sealing systems are available each offering maximum protection for the bearing. These seals are interchangeable and are designed for grease lubrication.

Type H Seal



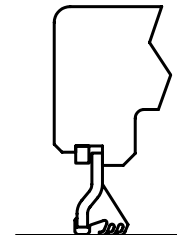
Type H floating labyrinth seals have multiple self-centering rings held securely in a steel carrier. Type H seals are normally furnished.

Type E Seal



Type E spring loaded lip seals utilize a spring to provide uniform pressure for keeping the sealing lip in contact with the inner ring. Type E seals are normally used for liquid splash environments.

Type E7 Seal



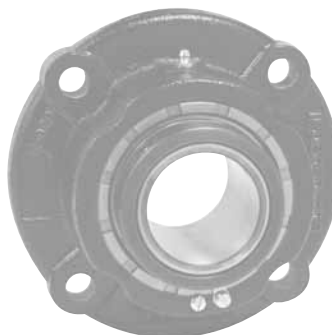
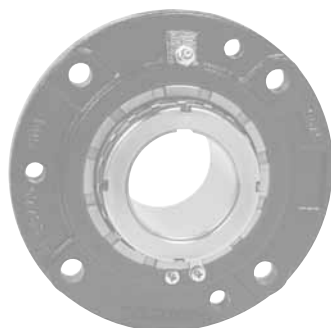
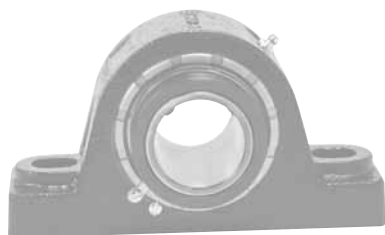
Type E7 triple lip seal with metal outboard guard is designed for the most severe of applications. The outboard metal guard protects the inner seal lips from abrasion and damage. The three molded, heavy contact lips provide excellent protection from abrasive media, dust and moisture.

One-Piece Cast Iron or Cast Steel Housings

Compact one-piece housings provide for strength and load support. Scientifically contoured housing design provides superior rigidity. Cast iron or cast steel pillow blocks have two or four slotted bolt holes with ample space

provided for drilling dowel pin holes. Flanged and flanged cartridge units have drilled mounting holes and machined mounting surfaces for maximum stability. Cartridge units have cast iron or steel housings and are finished

to precision tolerances. Takeup units have machined slots for smooth, precise operation. Pillow blocks, flanged, and cartridge units are available for fixed or expansion operation.



Nomenclature

Symbol	Description	P	E	-B22	4	39	F	H	C	17H
C	Cartridge unit	}	}	}	}	}	}	}	}	}
CSE	Cartridge unit; steel housing									
EF	Flanged unit; 4-bolt square									
EP	Pillow block; cast iron									
F	Flanged unit; 3- and 4-bolt									
FB	Flanged bracket unit									
FC	Flanged cartridge unit; 4-bolt round									
P	Pillow block									
PK	Pillow block; cast steel housing									
T	Takeup unit, slotted guides									
DS	Takeup, conveyor, hinged top, welded steel frame	}	}	}	}	}	}	}	}	
DSH	Takeup, conveyor, extra strength, welded steel frame									
R	Collar opposite cover (B22400 only)									
E	Expansion unit (not used with CSE symbol)									
B22	Spherical roller bearing; extended inner ring separable outer rings									
4	400 series designation (one locking collar)	}	}	}	}	}	}	}	}	}
5	500 series designation (two locking collars)									
6	600 series designation (adapter mounted)									
B	Inner ring bore equal to a bore of preceding smaller bearing group									
39	Shaft diameter in 16ths of an inch	}	}	}	}	}	}	}	}	}
M55	Metric series, bore in mm									
F	Four bolt base pillow block									
H	Floating labyrinth seal	}	}	}	}	}	}	}	}	}
E	Spring-loaded lip seal									
E7	Triple lip seal									
C	Closed end unit									
18	Takeup adjustment, inches									
17H	Grease designation									
4	Clearance other than standard									

Series B22400, B22500 & B22600 Spherical Roller Bearing

To select a bearing, determine the applied radial load, the applied thrust load, the desired Rating Life, and applicable operating conditions. The procedure shown here will aid in selecting a bearing to meet an L10 design life. The formulas for calculating life expectancy should be used to determine the Rating Life L10 for the bearing selected.

The selection procedures and rating formulas shown here are in agreement with The American Bearing Manufacturers Association Standards and ANSI/ABMA Standards STD 11-1990. Ratings are based on fatigue life. The Rating Life L10 or fatigue life at 90% reliability is the usual basis for bearing selection. For radial load applications only,

Table 4, can be used to select a bearing or to determine L10 life expectancy.

To assure a satisfactory bearing application, fitting practice, mounting, lubrication, sealing, static rating, housing strength, operating conditions and maintenance must be considered.

Selection

Step 1

Determine an appropriate L10 design life.

Type of service	Operating time, hours per year	Design life, years	L10 design life, hours
Light seasonal usage	500 to 750	3-5	3,000
Heavy seasonal usage	1,400 to 1,600	4-6	8,000
Industrial—8 hour shift	2,000	10	20,000
Industrial—16 hour shift	4,000	10	40,000
Industrial—continuous	8,700	10	80,000 to 100,000

Step 2

Determine a required $\left(\frac{C}{P}\right)$ from Table 1.

Step 3

Calculate the required C and select a roller bearing.

a For radial load only:

$$P = F_r$$

$$\text{required } C = \left(\frac{C}{P}\right)P \text{ using } \left(\frac{C}{P}\right) \text{ from Step 2}$$

Select a roller bearing from Table 2 with a basic load rating C equal to or greater than the required C.

Step 3 (continued)

b For combined radial and thrust loads:

Select a trial roller bearing of the desired shaft size from Table 2.

Calculate the ratio of thrust load F_a to the radial load F_r .

$$\frac{F_a}{F_r}$$

Calculate the equivalent radial load P

$$P = X F_r + Y F_a$$

If $\frac{F_a}{F_r}$ is equal to or less than e, then $P = X_1 F_r + Y_1 F_a$

If $\frac{F_a}{F_r}$ is greater than e, then $P = X_2 F_r + Y_2 F_a$

For values of e, X_1 , Y_1 , X_2 , and Y_2 , see Table 2.

Calculate the required C

$$\text{required } C = \left(\frac{C}{P}\right)P \text{ using } \left(\frac{C}{P}\right) \text{ from Step 2.}$$

Consult Table 2, basic load rating. If a smaller bearing meets, or nearly meets, the required C, its life expectancy can be calculated.

Note: If the load P is greater than .25C, consult Rexnord Bearing Division.

Selection

Symbols for formulas:
 C = basic load rating, pounds (or newtons)
 Co = static load rating, pounds (or newtons)
 e = a reference value
 Fa = thrust load, pounds (or newtons)
 Fr = radial load, pounds (or newtons)
 L10 = rating life, hours

n = speed, revolutions per minute
 P = equivalent radial load, pounds (or newtons)
 X = radial factor
 Y = thrust factor

Basic Formula

$$\left(\frac{C}{P}\right) = \left(\frac{L_{10} \times n \times 60}{1,000,000}\right)^{3/10}$$

$$L_{10} = \frac{\left(\frac{C}{P}\right)^{10/3} \times 1,000,000}{n \times 60}$$

Life Expectancy

To calculate the Rating Life L10 of any selected or trial bearing:

Step 1

Determine the equivalent radial load P.

a For radial load only:

$$P = Fr$$

b For combined radial and thrust load:

$$P = XFr + YFa$$

if $\frac{Fa}{Fr}$ is equal to or less than e, then

$$P = X1Fr + Y1Fa$$

if $\frac{Fa}{Fr}$ is greater than e, then

$$P = X2Fr + Y2Fa$$

For values of e, X1, Y1, X2, and Y2, consult the appropriate bearing rating Table 2.

Step 2

Calculate the ratio of the basic load rating C to the equivalent radial load.

$$\left(\frac{C}{P}\right)$$

Step 3

Approximate the bearing life from Table 1.

Life Adjustment

The Rating Life, L10, may be modified for some applications in accordance with the formula

$$Ln = a1a2a3L10$$

where Ln = Adjusted life for (100-n) % reliability,

a1 = Life adjustment factor for reliability

a2 = Life adjustment factor

for material and processing

a3 = Life adjustment factor for operating conditions.

For most normal applications, all factors will be taken as 1, and the Rating Life used as the selection basis or life estimate. In addition, as long as standard catalog bearings are used, a2 will be normally set equal to one.

The factor a3 covers such things as lubrication, misalignment, and temperature. Some conditions that could yield as significantly different than unity include speeds less than 20000 DN or greater than 200000 DN, temperatures below -40°F (-40°C) or above 275°F (135°C). For other possible conditions, as well as additional information on life adjustment factors, consult Rexnord Bearing Division.

Table 1 • Relation of L10 life and speed to $\left(\frac{C}{P}\right)$

Bearing Life Hours L10	Speed, n									
	50	100	200	300	400	500	600	700	800	
3000	1.93	2.38	2.93	3.31	3.61	3.86	4.07	4.27	4.44	
4000	2.11	2.59	3.19	3.61	3.93	4.20	4.44	4.65	4.84	
5000	2.25	2.77	3.42	3.86	4.20	4.50	4.75	4.97	5.18	
6000	2.38	2.93	3.61	4.07	4.44	4.75	5.02	5.25	5.47	
8000	2.59	3.19	3.93	4.44	4.84	5.18	5.47	5.73	5.96	
10000	2.77	3.42	4.20	4.75	5.18	5.54	5.85	6.12	6.37	
12000	2.93	3.61	4.44	5.02	5.47	5.85	6.18	6.47	6.73	
14000	3.07	3.78	4.65	5.25	5.73	6.12	6.47	6.77	7.05	
16000	3.19	3.93	4.84	5.47	5.96	6.37	6.73	7.05	7.34	
18000	3.31	4.07	5.02	5.66	6.18	6.60	6.97	7.30	7.60	
20000	3.42	4.20	5.18	5.85	6.37	6.81	7.20	7.54	7.85	
25000	3.65	4.50	5.54	6.25	6.81	7.29	7.70	8.06	8.39	
30000	3.86	4.75	5.85	6.60	7.20	7.70	8.13	8.51	8.86	
35000	4.04	4.97	6.12	6.92	7.54	8.06	8.51	8.92	9.28	
40000	4.20	5.18	6.37	7.20	7.85	8.39	8.86	9.28	9.66	
45000	4.36	5.36	6.60	7.46	8.13	8.69	9.18	9.61	10.00	
50000	4.50	5.54	6.81	7.70	8.39	8.97	9.48	9.92	10.30	
60000	4.75	5.85	7.20	8.13	8.86	9.48	10.00	10.50	10.90	
70000	4.97	6.12	7.54	8.51	9.28	9.92	10.50	11.00	11.40	
80000	5.18	6.37	7.85	8.86	9.66	10.30	10.90	11.40	11.90	
90000	5.36	6.60	8.13	9.18	10.00	10.70	11.30	11.80	12.30	
100000	5.54	6.81	8.39	9.48	10.30	11.00	11.70	12.20	12.70	
150000	6.25	7.70	9.48	10.70	11.70	12.50	13.20	13.80	14.40	
200000	6.81	8.39	10.30	11.70	12.70	13.60	14.40	15.00	15.70	
	Speed, n									
	900	1000	1200	1500	1800	2400	3000	3600	6000	
3000	4.60	4.75	5.02	5.36	5.66	6.18	6.60	6.97	8.13	
4000	5.02	5.18	5.47	5.85	6.18	6.73	7.20	7.60	8.86	
5000	5.36	5.54	5.85	6.25	6.60	7.20	7.70	8.13	9.48	
6000	5.66	5.85	6.18	6.60	6.97	7.60	8.13	8.59	10.00	
8000	6.18	6.37	6.73	7.20	7.60	8.29	8.86	9.36	10.90	
10000	6.60	6.81	7.20	7.70	8.13	8.86	9.48	10.00	11.70	
12000	6.97	7.20	7.60	8.13	8.59	9.36	10.00	10.60	12.30	
14000	7.30	7.54	7.96	8.51	8.99	9.80	10.50	11.10	12.90	
16000	7.60	7.85	8.29	8.86	9.36	10.20	10.90	11.50	13.40	
18000	7.88	8.13	8.59	9.18	9.70	10.60	11.30	11.90	13.90	
20000	8.13	8.39	8.86	9.48	10.00	10.90	11.70	12.30	14.40	
25000	8.69	8.97	9.48	10.10	10.70	11.70	12.50	13.20	15.40	
30000	9.18	9.48	10.00	10.70	11.30	12.30	13.20	13.90	16.20	
35000	9.61	9.92	10.50	11.20	11.80	12.90	13.80	14.60	17.00	
40000	10.00	10.30	10.90	11.70	12.30	13.40	14.40	15.20	17.70	
45000	10.40	10.70	11.30	12.10	12.80	13.90	14.90	15.70	18.30	
50000	10.70	11.00	11.70	12.50	13.20	14.40	15.40	16.20	18.90	
60000	11.30	11.70	12.30	13.20	13.90	15.20	16.20	17.10	20.00	
70000	11.80	12.20	12.90	13.80	14.60	15.90	17.00	17.90	20.90	
80000	12.30	12.70	13.40	14.40	15.20	16.50	17.70	18.70	21.80	
90000	12.80	13.20	13.90	14.90	15.70	17.10	18.30	19.40	22.60	
100000	13.20	13.60	14.40	15.40	16.20	17.70	18.90	20.00	23.30	
150000	14.90	15.40	16.20	17.30	18.30	20.00	21.40	22.60	26.30	
200000	16.20	16.70	17.70	18.90	20.00	21.80	23.30	24.60	28.70	

Table 2 • Load Ratings and Speed Limits

Size Code	Co Static load rating		C Basic load rating		Approximate speed limit RPM*			e	Fa/Fr ≤ e		Fa/Fr > e	
	newtons	pounds	newtons	pounds	H seal	E seal	E7 seal		X1	Y1	X2	Y2
B416	66100	14900	51200	11500	4500	3500	---	0.51	1.00	1.32	0.67	1.96
B420	80500	18100	60900	13700	4000	3000	2375	0.48	1.00	1.40	0.67	2.08
B424 B524 B624	93200	20900	64900	14600	3600	2750	2175	0.44	1.00	1.54	0.67	2.29
B428 B528	127700	28700	89800	20200	3100	2350	1850	0.45	1.00	1.51	0.67	2.25
B432 B531 B631	147700	33200	94300	21200	2800	2150	1675	0.40	1.00	1.68	0.67	2.50
B436 B536 B635	197500	44400	117400	26400	2500	1950	1500	0.40	1.00	1.68	0.67	2.50
B440 B540 B639	238000	53500	139700	31400	2300	1750	1350	0.38	1.00	1.80	0.67	2.68
B448 B548 B647	318000	71500	185900	41800	1950	1500	1150	0.38	1.00	1.79	0.67	2.67
B456 B556 B655	403400	90700	226800	51000	1650	1250	1000	0.38	1.00	1.77	0.67	2.64
B464 B564 B663	609400	137000	351800	79100	1400	1100	850	0.36	1.00	1.88	0.67	2.79
B572 B671	790200	178000	419400	94300	1300	1000	775	0.38	1.00	1.80	0.67	2.68
B580 B679	944700	212000	520400	117000	1200	900	650	0.37	1.00	1.83	0.67	2.72

If the load P is greater than .25C, consult Rexnord Bearing Division.
 For vertical shift application, consult Rexnord Bearing Division.
 * Based on grease lubrication and moderate load.

Table 3 • Size Code Interchange Table

	B22400 Series Single Set Collar	B22500 Series Double Set Collar	B22600 Series Tapered Adapter	Size Code
Shaft Size	Bearing Number	Bearing Number	Bearing Number	
1 25mm	B22416 B224M25			B416
1-3/16 1-1/4 30mm	B22419 B22420 B224M30			B420
1-7/16 1-1/2 35mm	B22423 B22424 B224M35	B22523	B22623	B424 B524 B624
1-1/2 1-5/8 1-11/16 1-3/4 40mm	B224B24 B22426 B22427 B22428 B224M40	B22527		B428 B528
1-3/4 1-15/16 2 45mm 50mm	B224B28 B22431 B22432 B224M45 B224M50	B22531	B22631	B432 B531 B631
2 2-3/16 2-1/4 55mm	B22435 B22436 B224M55	B22532 B22535	B22635	B436 B536 B635
2-1/4 2-7/16 2-1/2 60mm	B224B36 B22439 B22440 B224M60	B22539	B22639	B440 B540 B639
2-11/16 2-3/4 2-15/16 3 65mm 70mm 75mm	B22443 B22444 B22447 B22448 B224M65 B224M70 B224M75	B22543 B22547	B22643 B22647	B448 B548 B647
3-3/16 3-7/16 3-1/2 80mm 85mm	B22451 B22455 B22456 B224M80 B224M85	B22555	B22655	B456 B556 B655
3-11/16 3-15/16 4 90mm 100mm	B22459 B22463 B22464 B224M90 B224M100	B22563 B22564	B22663	B464 B564 B663
4-3/16 4-7/16 4-1/2 110mm 115mm		B22567 B22571 B22572 B225M110 B225M115	B22671	B572 B671
4-15/16 5 125mm		B22579 B22580 B225M125	B22679	B580 B679

Table 4 • Radial load ratings in pounds at Various RPM for Appropriate L₁₀ Life Hours

Size Code	L ₁₀ Lifecycles	50	100	200	300	400	500	600	700	800	900	1000	1200	1500	1800	2000	2500	3000	3500	
B416	8000	*	*	*	2589	2375	2221	2103	2008	1929	1862	1804	1708	1598	1513	1466	1371	1298	1239	
	20000	*	2735	2221	1967	1804	1688	1598	1526	1466	1415	1371	1298	1214	1149	1113	1041	986	941	
	40000	2735	2221	1804	1598	1466	1371	1298	1239	1190	1149	1113	1054	986	933	904	846	801	765	
	100000	2078	1688	1371	1214	1113	1041	986	941	904	873	846	801	749	709	687	642	608	581	
B420	8000	*	*	*	3085	2830	2646	2506	2392	2298	2219	2150	2035	1903	1802	1746	1633	1546	1476	
	20000	*	3258	2646	2343	2150	2010	1903	1817	1746	1685	1633	1546	1446	1369	1326	1240	1174	1121	
	40000	3258	2646	2150	1903	1746	1633	1546	1476	1418	1369	1326	1256	1174	1112	1077	1008	954	911	
	100000	2475	2010	1633	1446	1326	1240	1174	1121	1077	1040	1008	954	892	845	818	765	725	692	
B424	8000	*	*	*	3287	3016	2820	2670	2549	2449	2364	2291	2169	2028	1920	1861	1740	1648	1573	
	B524	20000	*	3472	2820	2497	2291	2142	2028	1937	1861	1796	1740	1648	1541	1459	1413	1322	1252	1195
		B624	40000	3472	2820	2291	2028	1861	1740	1648	1573	1511	1459	1413	1338	1252	1185	1148	1074	1017
	100000		2638	2142	1740	1541	1413	1322	1252	1195	1148	1108	1074	1017	951	900	872	816	772	737
B428	8000	*	*	*	4548	4172	3902	3694	3527	3389	3271	3169	3001	2806	2657	2574	2408	2280	2176	
	B528	20000	*	4804	3902	3455	3169	2964	2806	2680	2574	2485	2408	2280	2132	2018	1956	1829	1732	1653
		B628	40000	4804	3902	3169	2806	2574	2408	2280	2176	2091	2018	1956	1852	1732	1639	1588	1486	1407
	100000		3649	2964	2408	2132	1956	1829	1732	1653	1588	1533	1486	1407	1315	1245	1207	1129	1068	1020
B432	8000	*	*	*	4773	4379	4095	3877	3702	3557	3433	3326	3149	2945	2789	2702	2527	2392	2284	
	B531	20000	*	5042	4095	3626	3326	3111	2945	2812	2702	2608	2527	2392	2237	2118	2052	1920	1817	1735
		B631	40000	5042	4095	3326	2945	2702	2527	2392	2284	2195	2118	2052	1943	1817	1721	1667	1559	1476
	100000		3830	3111	2527	2237	2052	1920	1817	1735	1667	1609	1559	1476	1381	1307	1266	1184	1121	1071
B436	8000	*	*	*	5944	5453	5100	4828	4610	4429	4275	4142	3922	3668	3473	3365	3147	2979	2845	
	B536	20000	*	6278	5100	4516	4142	3874	3668	3502	3365	3248	3147	2979	2786	2638	2556	2390	2263	2161
		B635	40000	6278	5100	4142	3668	3365	3147	2979	2845	2733	2638	2556	2420	2263	2143	2076	1942	1838
	100000		4769	3874	3147	2786	2556	2390	2263	2161	2076	2004	1942	1838	1719	1628	1577	1475	1396	1333
B440	8000	*	*	*	7070	6485	6065	5743	5483	5268	5085	4927	4664	4362	4130	4002	3743	3543		
	B540	20000	*	7468	6065	5371	4927	4608	4362	4165	4002	3863	3743	3543	3314	3138	3040	2843	2692	
		B639	40000	7468	6065	4927	4362	4002	3743	3543	3383	3250	3138	3040	2878	2692	2548	2469	2309	2186
	100000		5673	4608	3743	3314	3040	2843	2692	2570	2469	2383	2309	2186	2045	1936	1876	1754	1661	
B448	8000	*	*	*	9412	8633	8074	7645	7299	7013	6769	6558	6209	5807	5498	5327	4982			
	B548	20000	*	9941	8074	7150	6558	6134	5807	5545	5327	5142	4982	4717	4412	4177	4047	3785		
		B647	40000	9941	8074	6558	5807	5327	4982	4717	4504	4327	4177	4047	3831	3583	3393	3287	3074	
	100000		7552	6134	4982	4412	4047	3785	3583	3421	3287	3173	3074	2911	2722	2577	2497	2335		
B456	8000	*	*	*	11483	10534	9852	9327	8906	8556	8259	8002	7576	7085	6708	6500	6079			
	B556	20000	*	12129	9852	8723	8002	7484	7085	6765	6500	6274	6079	5755	5383	5096	4937	4618		
		B655	40000	12129	9852	8002	7085	6500	6079	5755	5495	5279	5096	4937	4675	4372	4139	4010	3751	
	100000		9214	7484	6079	5383	4937	4618	4372	4174	4010	3871	3751	3551	3321	3144	3047	2849		
B464	8000	*	*	*	17810	16338	15280	14466	13813	13270	12809	12411	11750	10989	10405	10081				
	B564	20000	*	18811	15280	13530	12411	11607	10989	10493	10081	9731	9428	8926	8348	7904	7658			
		B663	40000	18811	15280	12411	10989	10081	9428	8926	8523	8188	7904	7658	7250	6781	6420	6220		
	100000		14290	11607	9428	8348	7658	7162	6781	6474	6220	6004	5817	5508	5151	4877	4725			
B572	8000	*	*	*	21233	19477	18216	17246	16467	15820	15271	14796	14008	13101	12404					
	B671	20000	*	22426	18216	16130	14796	13838	13101	12509	12018	11601	11240	10642	9952	9423				
		B671	40000	22426	18216	14796	13101	12018	11240	10642	10161	9762	9423	9130	8644	8084	7654			
	100000		17036	13838	11240	9952	9130	8538	8084	7719	7415	7158	6935	6566	6141	5814				
B580	8000	*	*	*	26344	24165	22601	21398	20431	19628	18947	18357	17380	16255						
	B679	20000	*	27825	22601	20012	18357	17169	16255	15520	14911	14393	13945	13203	12348					
		B679	40000	27825	22601	18357	16255	14911	13945	13203	12606	12111	11691	11327	10724	10030				
	100000		21137	17169	13945	12348	11327	10594	10030	9577	9201	8881	8605	8147	7619					

* Load exceeds 25% of the C rating, consult Rexnord Bearing Division.

www.rexnord.com

Rexnord Industries, LLC, 7601 Rockville Road, Indianapolis, IN 46214-3120 USA
Phone: 317-273-5500 Fax: 317-273-5620

© 2008 Rexnord Industries, LLC

